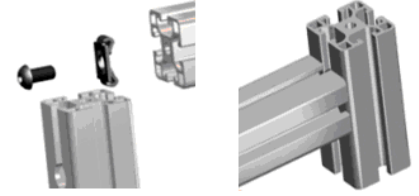
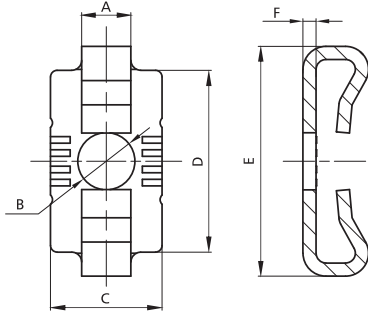


## Alu Profile Accessories/Connectors/Inner Connectors



Slot	Item No.	A	B	C	D	E	F	Material	Finish	PCS/CTN	KGS/CTN	CTN SIZE (mm)
8	3022D	8	Φ8.5	15	21	28.7	2	Steel		2,000	13.2	225*170*180
8	3022B	7.7	Φ8.7	17	27.7	35	2	Steel		1,000	10.8	225*170*180
8	3022B-SS	7.7	Φ8.7	17	27.7	35	2	SS Steel 304		1,000	10.8	225*170*180
6	3022A	5.9	Φ6.5	13	21	28.7	2	Steel		2,000	13	225*170*180
6	3022A-SS	5.9	Φ6.5	13	21	28.7	2	SS Steel 304		2,000	13	225*170*180
5	3022C	5	Φ5.5	10	16.5	19.3	1	Steel		5,000	8.6	225*170*180
5	3022C-SS	5	Φ5.5	10	16.5	19.3	1	SS Steel 304		5,000	8.6	225*170*180
10 NEW	3022-10	10	Φ11	21	27	45.5	2.5	Steel		500	10.3	225*170*180
12 NEW	3022-12	12	Φ13	26	42	55	3	Steel		300	11.6	225*170*180

