

## SAMURAI BELLOWS



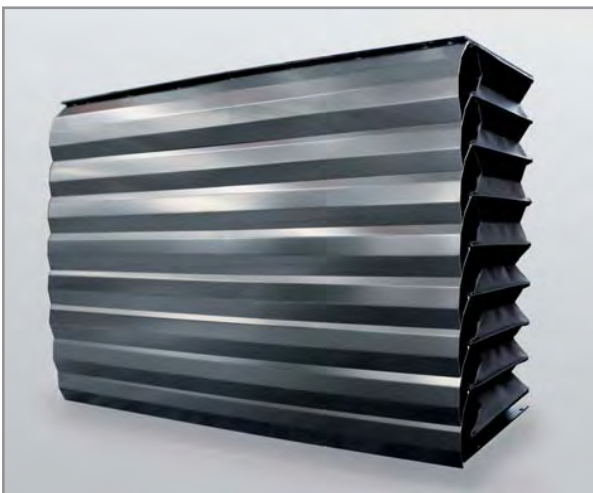
Application of lamella bellows

When in use the lamellas develop a regular formation of stripes on their surfaces. This is normal and caused by their edges and has no effect on their functionality or service life.

The lamellas are corrosion and acid proof, but not accessible.

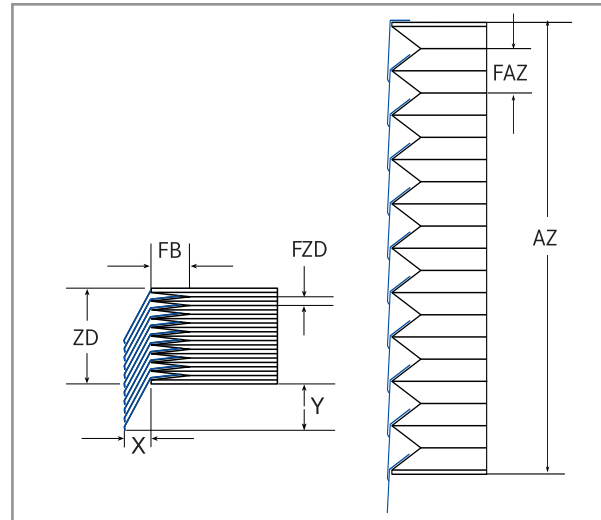
SAMURAI Bellows are available in three basic types. These main types are based on how the lamellas are fixed:

- FASTAF - fixed lamellas
- FASTAC - fixed telescopic lamellas
- FASTAM - flexible lamellas
- FASTAF Vector C<sup>2</sup> - special type for multi axis protection



SAMURAI FASTAM

Please note: If the guiding runs between bellow and lamellas, the given dimensions for Y (vertical space) will be reduced by 15 mm.



Drawing of FASTAF/FASTAC

### Legend

<b>FB</b>	Width of fold
<b>FZD</b>	Compression per fold
<b>2FZD</b>	Compression per two folds
<b>FAZ</b>	Extension per fold
<b>2FAZ</b>	One sheet of lamella protects two folds
<b>FHub</b>	Stroke per fold
<b>AZ</b>	Maximum extension
<b>ZD</b>	Minimum compression
<b>X</b>	Horizontal space required for the lamellas
<b>Y</b>	Vertical space required for the lamellas

FB	FAZ	FZD	X	Y
17,5	20	5	20	40
20	25	5	20	40
25	35	5	25	50
30	45	5	25	60
35	50	5	30	65
40	60	5	35	75
45	70	5	35 - 40	85
50	75	5	45 - 50	90

FASTAF/FASTAC

FB	2FAZ	2FZD	Y
15	35	5-10	55
17,5	45	5-10	65
20	55	5-10	75
25	70	5-10	90
30	90	5-10	110
35	105	5-10	130
40	125	5-10	145

FASTAF 2-folds (one sheet of lamella protects two folds)

Order and request forms available at: [www.hema-group.com](http://www.hema-group.com)

