

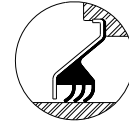
UCFB 2

Flange Units

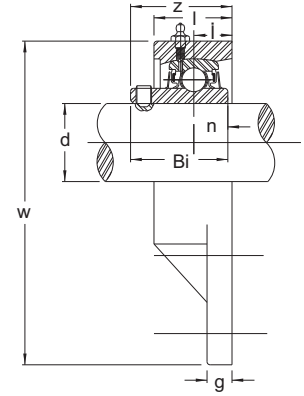
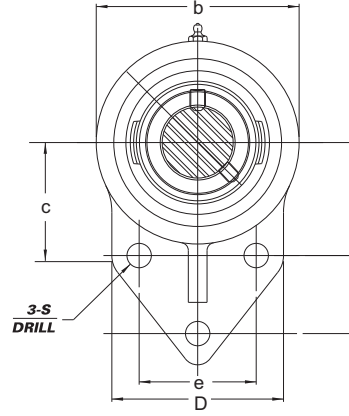
(normal-duty)



SR type seal



TRL type seal



unit No.	Shaft Dia	Dimensions (mm)														Bolt Used (mm)	Bearing No.	Housing No.	Weight kg.
	d (mm)	w	b	c	D	l	s	g	h	j	e	l	z	Bi	n				
UCFB 201 201-8	12	110	62	52	52	24	9.5	13	42	27	32	13.5	31.8	31.0	12.7	8	UC 201 201-8	FB 204	0.64
UCFB 202 202-10	15	110	62	52	52	24	9.5	13	42	27	32	13.5	31.8	31.0	12.7	8	UC 202 202-10	FB 204	0.64
UCFB 203	17	110	62	52	52	24	9.5	13	42	27	32	13.5	31.8	31.0	12.7	8	UC 203	FB 204	0.64
UCFB 204-12 204	20	110	62	52	52	24	9.5	13	42	27	32	13.5	31.8	31.0	12.7	8	UC 204-12 204	FB 204	0.64
UCFB 205-14 205-15 205 205-16	25	116	68	52	56	26	9.5	13	45	27	34	15	34.7	34.0	14.3	8	UC 205-14 205-15 205 205-16	FB 205	0.68
UCFB 206-18 206 206-19	30	130	78	55	65	29	9.5	13	50	29	40	17	39.2	38.1	15.9	8	UC 206-18 206 206-19	FB 206	0.92
UCFB 207-20 207-21 207-22 207 207-23	35	144	90	62	70	33	9.5	15	55	32	46	19	44.4	42.9	17.5	8	UC 207-20 207-21 207-22 207 207-23	FB 207	1.3
UCFB 208-24 208-25 208	40	164	100	72	78	34	11.1	16	60	41	50	20	50.2	49.2	19.0	10	UC 208-24 208-25 208	FB 208	1.8
UCFB 209-26 209-27 209-28 209	45	174	106	76	80	34	11.1	18	65	43	54	20	50.2	49.2	19.0	10	UC 209-26 209-27 209-28 209	FB 209	2.0
UCFB 210-30 210-31 210	50	184	112	82	86	35	11.1	18	68	46	58	20	52.6	51.6	19.0	10	UC 210-30 210-31 210	FB 210	2.3

