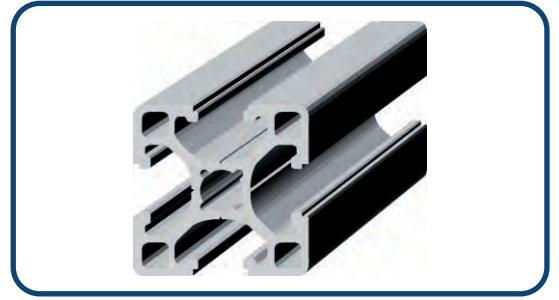
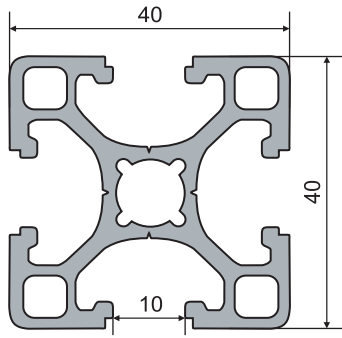
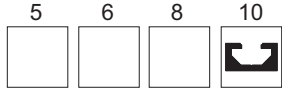


## OBC-40\*40 H سنگین



Part No.	Wy cm <sup>3</sup>	Wx cm <sup>3</sup>	Ly cm <sup>4</sup>	Lx cm <sup>4</sup>	L mm	coating	Material	Area cm <sup>2</sup>	Weight kg/m
OBC-40*40 H	5.18	5.18	12.1	12.1	6000	Anodizad	AL-6063	7.32	1.54

L(Standard) : 6050 mm



