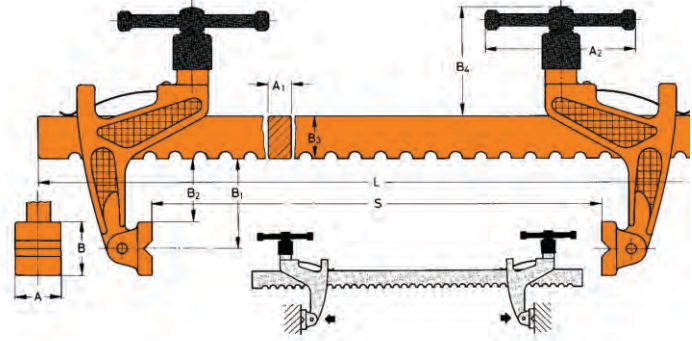


Bar Toggle Clamps



CARVER CLAMP – BAR TYPE

FEATURES OF PRODUCTS:

A-) The products are strenght and suitable for heavy duty.
B-) The operator slides the spring loaded moveable jaw toward the workpiece to the nearest notch where it locks into the detent. Hand tightening the screw advances the clamp jaw.

1. Spring-loaded jaw stays in position when pressure removed.
2. Jaw moves to security clamp angled surfaces.
3. Working parts not exposed to weld spatter.
4. No long screws to bend.
5. Tightening action cannot rotate workpiece.
6. Simple reverse jaws for a spreading action

USAGE AREAS

- * Fabrication
- * Welding
- * Machining
- * Maintenance
- * toolroom

MODEL NO	Tutma Kuvveti Holding Force (N)	Tutma Kapasitesi Capacity (S) (mm)		Cene Uzunluęu Reach (B1) (mm)	Weight (gr)	MODEL NO	A	A1	A2	B	B2	B3	B4	L
		Min	Max											
T186-600	11300		600	60	3400	T186-600	25	12	76	32	44	30	76	710
T186-900			900	60	4400	T186-900	25	12	76	32	44	30	76	1020
T186-1500			1500	60	5800	T186-1500	25	12	76	32	44	30	76	1625
T186-2100			2100	60	7600	T186-2100	25	12	76	32	44	30	76	2235
T186-2400			2400	60	8800	T186-2400	25	12	76	32	44	30	76	2540
T321-600	5650		600	120	3500	T321-600	25	12	76	32	104	30	76	710
T321-900			900	120	4500	T321-900	25	12	76	32	104	30	76	1020
T321-1500			1500	120	5900	T321-1500	25	12	76	32	104	30	76	1625
T321-2100			2100	120	7700	T321-2100	25	12	76	32	104	30	76	2235
T321-2400			2400	120	8900	T321-2400	25	12	76	32	104	30	76	2540
T290-900	18000		900	90	10500	T290-900	38	20	140	51	65	40	105	1070
T290-1200			1200	90	12100	T290-1200	38	20	140	51	65	40	105	1390
T290-1500			1500	90	14000	T290-1500	38	20	140	51	65	40	105	1690
T290-2100			2100	90	18000	T290-2100	38	20	140	51	65	40	105	2290
T285-900	9000		900	200	11500	T285-900	38	20	140	51	180	40	105	1070
T285-1200			1200	200	13000	T285-1200	38	20	140	51	180	40	105	1390
T285-1500			1500	200	15000	T285-1500	38	20	140	51	180	40	105	1690
T285-2100			2100	200	19000	T285-2100	38	20	140	51	180	40	105	2290
T257-2100	27000		2100	115	27200	T257-2100	51	22	187	63,5	83	52	127	2335
T257-2700			2700	115	32000	T257-2700	51	22	187	63,5	83	52	127	2945

Aksesuar / Accessories



KOD	MODEL NO	Weight (gr)
T186	T186 - T321	700
T285	T290 - T285	1300

