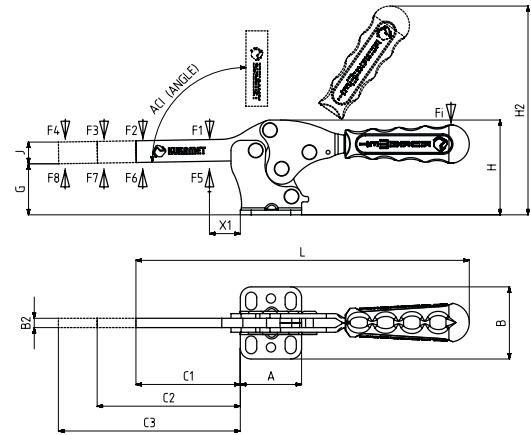


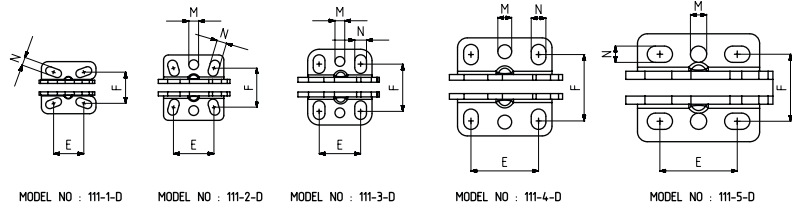
Horizontal Toggle Clamps with Solid Arm

| MODEL NO | (BLACK) | F1 (N) | F2 (N) | F3 (N) | F4 (N) | F5 (N) | F6 (N) | F7 (N) | F8 (N) | Fi | | (ANGLE) ($\pm 5^\circ$) | (WEIGHT) (gr) |
|----------|--------------|--------|--------|--------|--------|--------|--------|--------|--------|----------------------------|----------------------------|---------------------------|---------------|
| | | | | | | | | | | (X1) VERİM (YIELD) (F1:Fi) | (C1) VERİM (YIELD) (F2:Fi) | | |
| 111-1-D | B 111 - | 850 | 650 | 200 | 100 | 1000 | 800 | 200 | 125 | 7:1 | 3:1 | 90° | 100 |
| 111-2-D | B 111 - | 1000 | 750 | 300 | 220 | 1200 | 1000 | 350 | 250 | 7:1 | 3:1 | 90° | 200 |
| 111-3-D | B 111 - | 2300 | 1250 | 560 | 400 | 2500 | 1350 | 740 | 530 | 8:1 | 4:1 | 90° | 300 |
| 111-4-D | B 111 - | 3500 | 1800 | 900 | 700 | 3650 | 2000 | 1035 | 800 | 9:1 | 4:1 | 90° | 730 |
| 111-5-D | B 111 - | 4500 | 2000 | 1250 | 1000 | 5000 | 2125 | 1350 | 1080 | 10:1 | 5:1 | 90° | 1400 |

F1 - F2 - F3 - F4 : BASKI KUVVETİ (EXERTING FORCE) , F5 - F6 - F7 - F8 : TUTMA KAPASİTESİ (HOLDING CAPACITY) , Fi : UYGULAMA KUVVETİ (APPLIED FORCE)



*911-951
Please See Accessories Page



Body Mounting Base: Horizontal



| MODEL NO | A | B | B2 | C1 | C2 | C3 | D | E | F | G | H | H2 | J | K | L | M | N | X1 |
|----------|------|------|----|-----|-----|-----|---|---------|-----------|----|-----|-----|------|---|-----|-------|-----------|----|
| 111-1-D | 33,5 | 32 | 5 | 43 | 93 | 143 | | 14-23 | 17,5-20,5 | 21 | 40 | 95 | 10 | | 148 | | 5 x 10 | 15 |
| 111-2-D | 37 | 40 | 5 | 66 | 116 | 166 | | 23,7-26 | 20-27,5 | 28 | 51 | 110 | 14 | | 184 | Ø 6 | 6 x 10 | 19 |
| 111-3-D | 39,5 | 46,5 | 6 | 68 | 118 | 168 | | 25,5 | 24-32,5 | 34 | 61 | 136 | 14 | | 215 | Ø 6 | 7 x 11,5 | 25 |
| 111-4-D | 58 | 60 | 8 | 100 | 150 | 200 | | 41,5 | 36-43 | 45 | 82 | 175 | 19 | | 296 | Ø 8,5 | 9 x 12,5 | 27 |
| 111-5-D | 75 | 66 | 10 | 129 | 179 | 229 | | 42-53 | 42 | 55 | 104 | 218 | 25,5 | | 345 | Ø 10 | 10 x 15,5 | 37 |



تلفن : (021) 33913364 - 33951660

فکس : (021) 33985603