

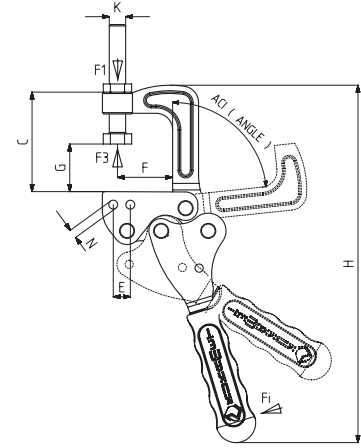
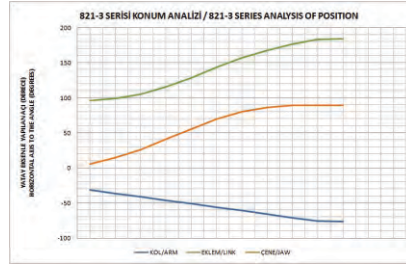
Squeezing Type Toggle Clamps

821

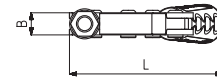


MODEL NO	F1 (N)	F3 (N)	F _i	AÇI (ANGLE) (± 5°)	(WEIGHT) (gr)
			VERİM (YIELD) (F ₁ :F _i)		
821-2	3500	4000	9:1	85°	810

F₁ : BASKI KUVVETİ (EXERTING FORCE) , F₃ : TUTMA KAPASİTESİ (HOLDING CAPACITY) ,
F_i : UYGULAMA KUVVETİ (APPLIED FORCE)



Product Features;
The products are strong and suited for heavy duty applications.
The clamping jaw is made of hot forged steel.
The remaining parts are made of galvanized steel for corrosion resistance.



Body Mounting Base Vertical

MODEL NO	A	B	C	D	E	F	G min.	G max.	H	J	K	L	M	N
821-2		15	72		12.5	31	0	50	261		M12	107		6.5

