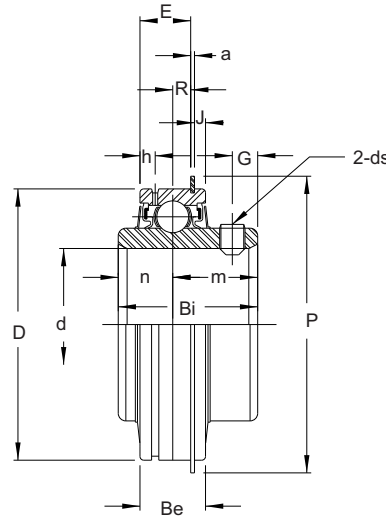


SER 2

Ball Bearings (with locating snap ring) (normal-duty)



SR type seal

Suffix G5 : Inch sized set screws

Bearing No.	Bore Dia of Bearing	Dimensions (mm)													Basic Load Rating kg.	Basic Static Load Rating kg.	Weight kg.
	d (mm)	D	Bi	Be	n	m	E	a	h	R	J	P	G	ds			
SER 201 201-8	12	47	30.96	15.88	11.46	19.5	10.98	1.07	4.0	3.04	3.50	52.5	5.0	M6x1.0	1280	750	0.22
SER 202 202-10	15	47	30.96	15.88	11.46	19.5	10.98	1.07	4.0	3.04	3.50	52.5	5.0	M6x1.0	1280	750	0.22
SER 203	17	47	30.96	15.88	11.46	19.5	10.98	1.07	4.0	3.04	3.50	52.5	5.0	M6x1.0	1280	750	0.22
SER 204-12 204	20	47	30.96	15.88	11.46	19.5	10.98	1.07	4.0	3.04	3.50	52.5	5.0	M6x1.0	1280	750	0.21
SER 205-14 205-15 205 205-16	25	52	34.92	19.05	13.1	21.82	15.15	1.07	5.2	5.62	2.5	57.6	5.5	M6x1.0	1400	790	0.27
SER 206-18 206 206-19	30	62	38.1	22.22	15.9	22.2	17.08	1.65	5.6	5.98	3.12	67.5	5.5	M6x1.0	1950	1130	0.39
SER 207-20 207-22 207 207-23	35	72	42.9	23.8	17.5	25.4	18.7	1.65	5.6	6.80	3.12	78.2	6.4	M8x1.0	2570	1540	0.63
SER 208-24 208	40	80	49.2	27.8	19.0	30.2	22.68	1.65	6.4	8.78	3.12	86.3	8.0	M8x1.0	2910	1790	0.81
SER 209-26 209-27 209-28 209	45	85	49.2	27.8	19.0	30.2	22.68	1.65	6.4	8.78	3.12	91.2	8.0	M8x1.0	3270	2040	0.90
SER 210-30 210-31 210	50	90	51.6	28.6	19.0	32.6	22.78	2.41	7.5	8.48	3.12	96.3	9.0	M10x1.25	3510	2320	0.98
SER 211-32 211 211-35	55	100	55.6	30.16	22.2	33.4	24.34	2.41	7.6	9.26	3.12	106.3	9.0	M10x1.25	4330	2940	1.41
SER 212-36 212 212-39	60	110	65.1	31.8	25.4	39.7	25.96	2.41	7.6	10.06	3.14	116.4	10.5	M10x1.25	5420	3610	1.89

