

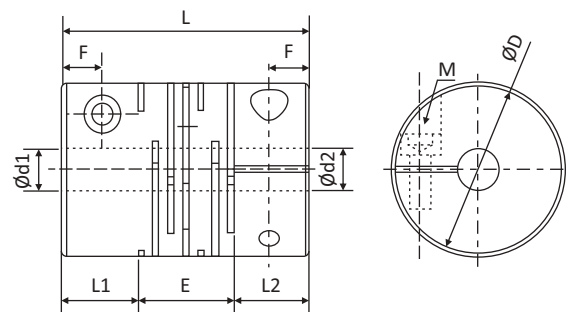
Radial Beam Flexible Coupling

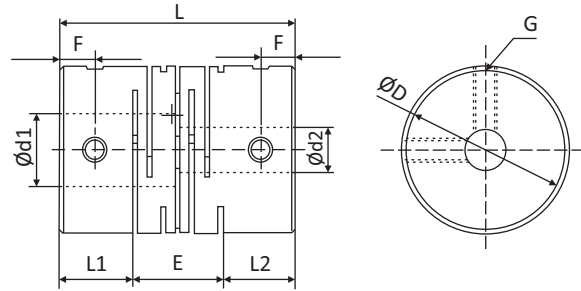
Structure chart :



Characteristic :

- ◆ Zero Rotary clearance
- ◆ One of the design without loss of torque
- ◆ Radial, axial, angular deviation compensation performance
- ◆ Excellent torque rigidity and sensitivity





Dimension : (mm)

Model	aperture				D	L	L1/L2	E	F	G	M	tightening torque (N.m)
	d1		d2									
	Min	Max	Min	Max								
JT16	5	8	5	8	16	23	6.5	10	3	M3	-	0.7
JT16C	5	8	5	8						-	M2.5	1
JT20	5	10	5	10	20	26	7.5	11	3	M3	-	0.7
JT20C	5	10	5	10						-	M2.5	1
JT25	6	12	6	12	25	31	8.5	14	4	M4	-	1.7
JT25C	6	12	6	12						-	M3	1.5
JT32	8	16	8	16	32	41	12	17	6	M4	-	1.7
JT32C	8	16	8	16						-	M4	2.5
JT40	8	20	8	20	40	56	17	22	8.5	M5	-	4
JT40C	8	20	8	20						-	M5	4
JT50	12	25	12	25	50	71	21	29	10.5	M6	-	7
JT50C	12	25	12	25						-	M6	8
JT63	14	35	14	35	63	90	26	38	13	M8	-	15
JT63C	14	35	14	35						-	M8	16

Specification :

Model	Rated torque (N.m)	Max torque (N.m)	allowable speed (min ⁻¹)	Torsional stiffness (N.m/rad)	Moment of inertia (10 ⁻⁸ kgm ²)	Axial (mm)	lateral (mm)	angular (°)	Net weight (g)
JT16	0.5	1	24000	80	0.33	±0.4	0.10	2	8.1
JT16C					0.34				9.2
JT20	1	2	20000	170	0.90	±0.4	0.10	2	14
JT20C					0.91				19
JT25	2	4	15000	380	2.60	±0.5	0.15	2	27
JT25C					2.60				37
JT32	4	8	12000	500	9.60	±0.5	0.15	2	60
JT32C					9.7				75
JT40	8	16	9500	700	32	±0.5	0.20	2	130
JT40C					33				145
JT50	16	32	7000	1800	100	±0.5	0.20	2	260
JT50C					100				300
JT63	32	64	6000	3100	320	±0.5	0.20	2	490
JT63C					320				580

Example :

JT	20	C	6	8
Model	Outside diameter	Fixed mode	Aperture	Aperture



Radial Beam Flexible Coupling



Dimension : (mm)

model	aperture				D	L	L1/L2	E	F	G	M	tightening torque (N.m)
	d1		d2									
	Min	Max	Min	Max								
JTS16	4	8	4	8	16	23	6.5	10	3	M3	-	0.7
JTS16C	5	8	5	8						-	M2.5	1
JTS20	4	10	4	10	20	26	7.5	11	3	M3	-	0.7
JTS20C	5	10	5	10						-	M2.5	1
JTS25	4	12	4	12	25	31	8.5	14	4	M4	-	1.7
JTS25C	5	12	5	12						-	M3	1.5
JTS32	5	16	5	16	32	41	12	17	6	M4	-	1.7
JTS32C	6	16	6	16						-	M4	2.5
JTS40	8	20	8	20	40	56	17	22	8.5	M5	-	4
JTS40C	8	20	8	20						-	M5	4
JTS50	10	25	10	25	50	71	21	29	10.5	M6	-	7
JTS50C	10	25	10	25						-	M6	8
JTS63	14	35	14	35	63	90	26	38	13	M8	-	15
JTS63C	14	35	14	35						-	M8	16

Example :

JTS	25	C	8	10
Model	Outside diameter	Fixed mode	Aperture	Aperture



Specification :

model	Rated torque (N.m)	Max torque (N.m)	allowable speed (min ⁻¹)	Torsional stiffness (N.m/rad)	Moment of inertia (10 ⁻⁴ kgm ²)	Axial (mm)	lateral (mm)	Angular (°)	net weight (g)
JTS16	1.5	3	24000	85	0.84	±0.3	0.10	2	21
JTS16C					0.90				25
JTS20	2.5	5	20000	260	2.40	±0.3	0.10	2	38
JTS20C					2.50				43
JTS25	4	8	15000	450	6.80	±0.4	0.15	2	71
JTS25C					7.10				78
JTS32	6.3	12.6	12000	850	26.00	±0.5	0.15	2	160
JTS32C					27				175
JTS40	15	30	9500	1000	87	±0.5	0.20	2	350
JTS40C					90				370
JTS50	28	56	7000	2400	240	±0.5	0.20	2	700
JTS50C					280				750
JTS63	56	112	6000	4800	840	±0.5	0.20	2	1300
JTS63C					880				1400



OBC		RW	Sungil	Rotex
كود جديد	كود قديم			
MPA & MPA-C				
MPA 26	HPS 26	-	-	-
MPA26C	HPS26C	-	-	-
MPA34C	HPS34C	-	-	-
MPA39C	HPS39C	-	-	-
MPA44C	HPS44C	-	-	-
MPA56C	HPS56C	-	-	-
MPA68C	HPS68C	-	-	-
MPA82C	HPS82C	-	-	-
MPA94C	HPS94C	-	-	-
MPA104C	HPS104C	-	-	-
MPB-C & MPC-C				
MPB34C	-	-	-	-
MPC34C	-	-	-	-
MPB44C	-	-	-	-
MPC44C	-	-	-	-
MPB56C	-	-	-	-
MPC56C	-	-	SHDS56C	-
MPB68C	-	-	-	-
MPC68C	-	-	SHDS66C	-
MPB82C	-	-	-	-
MPC82C	-	-	SHDS88C	-
DMPA-C & DMPB-C				
DMPA26C	HPL26C	-	-	-
DMPA34C	HPL34C	-	SDWB22C	-
DMPB34C	-	-	-	-
DMPA39C	HPL39C	-	-	-
DMPA44C	HPL44C	-	SDWB42C	-
DMPB44C	-	-	-	-
DMPA56C	HPL56C	-	SDWB54C	-
DMPB56C	-	-	-	-
DMPA68C	HPL68C	-	-	-
DMPB68C	-	-	-	-
DMPA82C	HPL82C	-	-	-
DMPB82C	-	-	-	-
DMPA94C	HPL94C	-	SDWB90C	-
DMPA104C	HPL104C	-	-	-
DMPC-C & DMPD-C				
DMPC34C	TM4-34C	-	-	-
DMPD34C	-	-	-	-
DMPD39C	-	-	-	-
DMPC44C	TM4-44C	-	-	-
DMPD44C	-	-	-	-
DMPC56C	TM4-56C	-	SHDW-56C	-
DMPD56C	-	-	-	-
DMPC68C	TM4-68C	-	SHDW-68C	-
DMPD68C	-	-	-	-
DMPC82C	TM4-82C	-	SHDW-82C	-
DMPD82C	-	-	-	-

OBC		RW	Sungil	Rotex
كود جديد	كود قديم			
JT & JT-C				
JT 16	PK 16	-	-	-
JT16C	PK16C	-	SBR16C	-
JT 20	PK 20	-	-	-
JT20C	PK20C	-	SBR20C	-
JT 25	PK 25	-	-	-
JT25C	PK25C	-	SBR25C	-
JT 32	PK 32	-	-	-
JT32C	PK32C	-	SBR32C	-
JT 40	PK 40	-	-	-
JT40C	PK40C	-	SBR40C	-
JT 50	PK 50	-	-	-
JT50C	PK50C	-	SBR50C	-
JT 63	PK 63	-	-	-
JT63C	PK63C	-	SBR63C	-
JR-C & JRL-C				
JR16C	JG2-16C	-	SRG-16C	-
JR20C	JG2-20C	-	SRG-20C	-
JRL20C	-	-	SRGL-20C	-
JR25C	JG2-25C	-	SRG-25C	-
JRL25C	-	-	SRGL-25C	-
JR32C	JG2-32C	-	SRG-32C	-
JRL32C	-	-	SRGL-32C	-
JR43C	JG2-43C	-	SRG-43C	-
JRL43C	-	-	SRGL-43C	-
JR53C	JG2-53C	-	SRG-53C	-
JRL53C	-	-	SRGL-53C	-
BW & BW-C & BW-T				
BW 16	JB2-16	-	-	-
BW16C	JB2-16C	-	-	-
BW 20	JB2-20	-	-	-
BW20C	JB2-20C	-	-	-
BW 25	JB2-25	-	-	-
BW25C	JB2-25C	-	-	-
BW 32	JB2-32	-	-	-
BW32C	JB2-32C	MK2/45	-	-
BW 40	JB2-40	-	-	-
BW40C	JB2-40C	MK2/100	-	-
BW 55	JB2-55	-	-	-
BW55C	JB2-55C	BKL30	-	-
BW65C	JB2-65C	BKL60	-	-
BW82C	JB2-82C	BKL80	-	-
BW40T	JB2-40T	-	-	-
BW55T	JB2-55T	-	-	-
BW65T	JB2-65T	-	-	-
BW82T	JB2-82T	-	-	-



OBC		RW	Sungil	Rotex
کد جدید	کد قدیم			
JM & JM-C				
JM 14	SRJ 14	-	-	-
JM14C	SRJ14C	-	SJC14C-RD	-
JM 16	SRJ 16	-	-	-
JM16C	SRJ16C	-	-	-
JM 20	JSRJ 20	-	-	-
JM20C	SRJ20C	-	SJC20C-RD	-
JM 25	SRJ 25	-	-	-
JM25C	SRJ25C	EKL5A	SJC25C-RD	GS9-12
JM 30	SRJ 30	-	-	-
JM30C	SRJ30C	EKL10A	SJCB30C-RD	GS 14
JM 40	SRJ 40	-	-	-
JM40C	SRJ40C	EK2/20	SJCB40C-RD	GS 19
JM 55	SRJ 55	-	-	-
JM55C	SRJ55C	EK2/60	SJC55C-RD	GS 24
JM 65	SRJ 65	-	-	-
JM65C	SRJ65C	EK2/150	SJC65C-RD	GS 28
JM 80	SRJ 80	-	-	-
JM80C	SRJ80C	EK2/300	SJC80C-RD	GS38-42
JM 95	SRJ 95	-	-	-
JM95C	SRJ95C	-	-	-
JM 105	SRJ 105	-	-	-
JM105C	SRJ105C	EK2/450	SJC100C-RD	-
JM 120	SRJ 120	-	-	GS48
JM120C	SRJ120C	-	-	-
JM 135	SRJ 135	-	-	-
JM 135C	SRJ 135C	-	-	-
JH				
JH16C	JH2-16C	-	SOH-16C	-
JH20C	JH2-20C	-	SOH-20C	-
JH25C	JH2-25C	-	SOH-25C	-
JH32C	JH2-32C	-	SOH-32C	-
JH40C	JH2-40C	-	SOH-43C	-
JH50C	JH2-50C	-	SOH-53C	-
JH63C	JH2-63C	-	SOH-70C	-
NM-Coupling				
50	NM-50	-	-	-
67	NM-67	-	-	-
82	NM-82	-	-	-
97	NM-97	-	-	-
112	NM-112	-	-	-
128	NM-128	-	-	-
148	NM-148	-	-	-
168	NM-168	-	-	-
194	NM-194	-	-	-
214	NM-214	-	-	-

OBC		RW	Sungil	Rotex
کد جدید	کد قدیم			
L-Coupling				
L035	L-SRJ035	-	-	-
L050	L-SRJ050	-	-	-
L070	L-SRJ070	-	-	-
L075	L-SRJ075	-	-	-
L090	L-SRJ090	-	-	-
L095	L-SRJ095	-	-	-
L099	L-SRJ099	-	-	-
L100	L-SRJ100	-	-	-
L110	L-SRJ110	-	-	-
L150	L-SRJ150	-	-	-
L190	L-SRJ190	-	-	-
L225	L-SRJ225	-	-	-
L276	L-SRJ276	-	-	-
XL				
XL-0	XL-SRJ0(30)	-	-	-
XL-1	XL-SRJ1(40)	-	-	-
XL-2	XL-SRJ2(55)	-	-	-
XL-3	XL-SRJ3(65)	-	-	-
XL-4	XL-SRJ4(80)	-	-	-
XL-5	XL-SRJ5(95)	-	-	-
XL-6	XL-SRJ6(105)	-	-	-
XL-7	XL-SRJ7	-	-	-
XL-8	XL-SRJ8	-	-	-
XL-9	XL-SRJ9	-	-	-
XL-10	XL-SRJ10	-	-	-
XL-11	XL-SRJ11	-	-	-
XL-12	XL-SRJ12	-	-	-
XL-13	XL-SRJ13	-	-	-
XL-14	XL-SRJ14	-	-	-
XL-15	XL-SRJ15	-	-	-
XL-16	XL-SRJ16	-	-	-

