

651-H



new

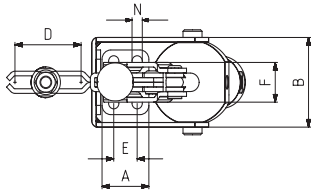
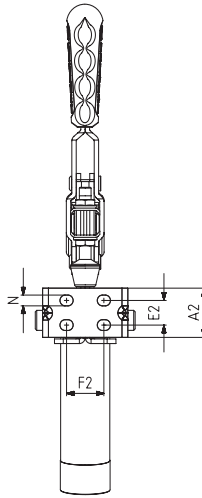
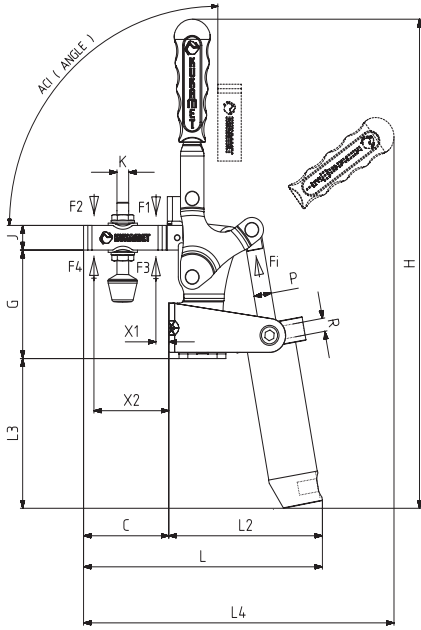
## Pneumatic Toggle Clamps

MODEL NO	F1 (N)	F2 (N)	F3 (N)	F4 (N)	Fi (N)	Vn (dm <sup>3</sup> )	(ANGLE) (± 5°)	(WEIGHT) (gr)	BAR
651-2-H	1200	700	1400	925	300	0,25	90°	620	6
651-3-H	2000	1400	2500	1560	500	0,51	90°	985	6
651-4-H	3000	2000	3300	2200	750	1,04	90°	2100	6
651-5-H	4500	2500	5000	3000	1100	2	90°	3900	6

F1 - F2 : BASKI KUVVETI ( EXERTING FORCE ), F3 - F4 : TUTMA KAPASITESI ( HOLDING CAPACITY ), Fi : UYGULAMA KUVVETI ( APPLIED FORCE )

Vn , 6 BAR BASINÇTA ÇİFT HAREKET İÇİN HAVA TÜKETİM MİKTARIDIR ( Vn , AIR CONSUMPTION PER DOUBLE STROKE IN dm<sup>3</sup> AT 6 BAR )

## Body Mounting Base Vertical and with handle



MODEL NO : 651-2-H

MODEL NO : 651-3-H

MODEL NO : 651-4-H

MODEL NO : 651-5-H



Pneumatic cylinders are double acting, magnetic and cushioning

MODEL NO	A	A2	B	C	D	E	E2	F	F2	G	H	J	K	L	L2	L3	L4	N	X1	X2	P	R	PISTON Ø
651-2-H	26	26	51	54	42	12,5	12,5	25 - 29	25 - 29	65	261	13	M6	146	92	82	174	6x8	12	42	Ø10	G1/8	25
651-3-H	32	32	60	57	42	16	16	23,5 - 27,5	23,5 - 27,5	70,5	318	16	M8	164	106	98	212	7x9	15	42	Ø12	G1/8	32
651-4-H	50	50	79	89	67	32	32	45	45	100	393	20	M10	230	141	101	287	9	22	70	Ø16	G1/8	40
651-5-H	65	65	91	113	94	41,5	41,5	57	57	130	447	25	M12	286	172	114	333	11	25	91	Ø20	G1/8	50



تلفن : (021) 33913364 - 33951660

فکس : (021) 33985603