

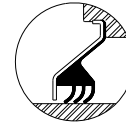
UCF2

Flange Unit (square)

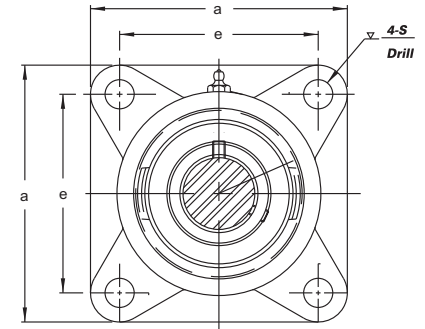
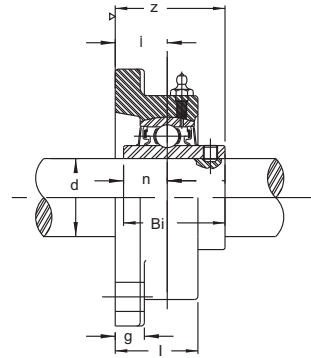
(normal-duty)



SR type seal



TRL type seal



unit No.	Shaft Dia	Dimensions (mm)									Bolt Used (mm)	Bearing No.	Housing No.	Weight kg.
	d (mm)	a	e	i	g	l	s	z	Bi	n				
UCF 201 201-8	12	86	64	15	12	25.5	12	33.3	31.0	12.7	10	UC 201 201-8	F 204	0.63
UCF 202 202-10	15	86	64	15	12	25.5	12	33.3	31.0	12.7	10	UC 202 202-10	F 204	0.63
UCF 203	17	86	64	15	12	25.5	12	33.3	31.0	12.7	10	UC 203	F 204	0.63
UCF 204-12 204	20	86	64	15	12	25.5	12	33.3	31.0	12.7	10	UC 204-12 204	F 204	0.63
UCF 205-14 205-15 205	25	95	70	16	14	27	12	35.7	34.0	14.3	10	UC 205-14 205-15 205	F 205	0.82
UCF 206-18 206	30	108	83	18	14	31	12	40.2	38.1	15.9	10	UC 206-18 206	F 206	1.10
UCF 207-20 207-21 207-22 207	35	117	92	19	16	34	14	44.4	42.9	17.5	12	UC 207-20 207-21 207-22 207	F 207	1.5
UCF 208-24 208-25 208	40	130	102	21	16	36	16	51.2	49.2	19.0	14	UC 208-24 208-25 208	F 208	1.9
UCF 209-26 209-27 209-28 209	45	137	105	22	18	38	16	52.2	49.2	19.0	14	UC 209-26 209-27 209-28 209	F 209	2.3
UCF 210-30 210-31 210	50	143	111	22	18	40	16	54.6	51.6	19.0	14	UC 210-30 210-31 210	F 210	2.5
UCF 211-32 211-34 211	55	162	130	25	20	43	19	58.4	55.6	22.2	16	UC 211-32 211-34 211	F 211	3.4
UCF 212-36 212	60	175	143	29	20	48	19	68.7	65.1	25.4	16	UC 212-36 212	F 212	4.4
UCF 213-40 213	65	187	149	30	20	50	19	69.7	65.1	25.4	16	UC 213-40 213	F 213	5.3
UCF 214-44 214	70	193	152	31	24	54	19	75.4	74.6	30.2	16	UC 214-44 214	F 214	6.0
UCF 215-48 215	75	200	159	34	24	56	19	78.5	77.8	33.3	16	UC 215-48 215	F 215	6.6
UCF 216	80	208	165	34	24	58	23	83.3	82.6	33.3	20	UC 216	F 216	7.5
UCF 217-52 217	85	220	175	36	26	63	23	87.6	85.7	34.1	20	UC 217-52 217	F 217	9.1
UCF 218-56 218	90	235	187	40	26	68	23	96.3	96.0	39.7	20	UC 218-56 218	F 218	11.3

